

MICRO SWITCH

A DIVISION OF MINNEAPOLIS-HONEYWELL REGULATOR COMPANY
FREEPORT, ILLINOIS

FED. MFR. CODE 91929

SWITCH - BASIC

CATALOG LISTING
BZ - 2RW822

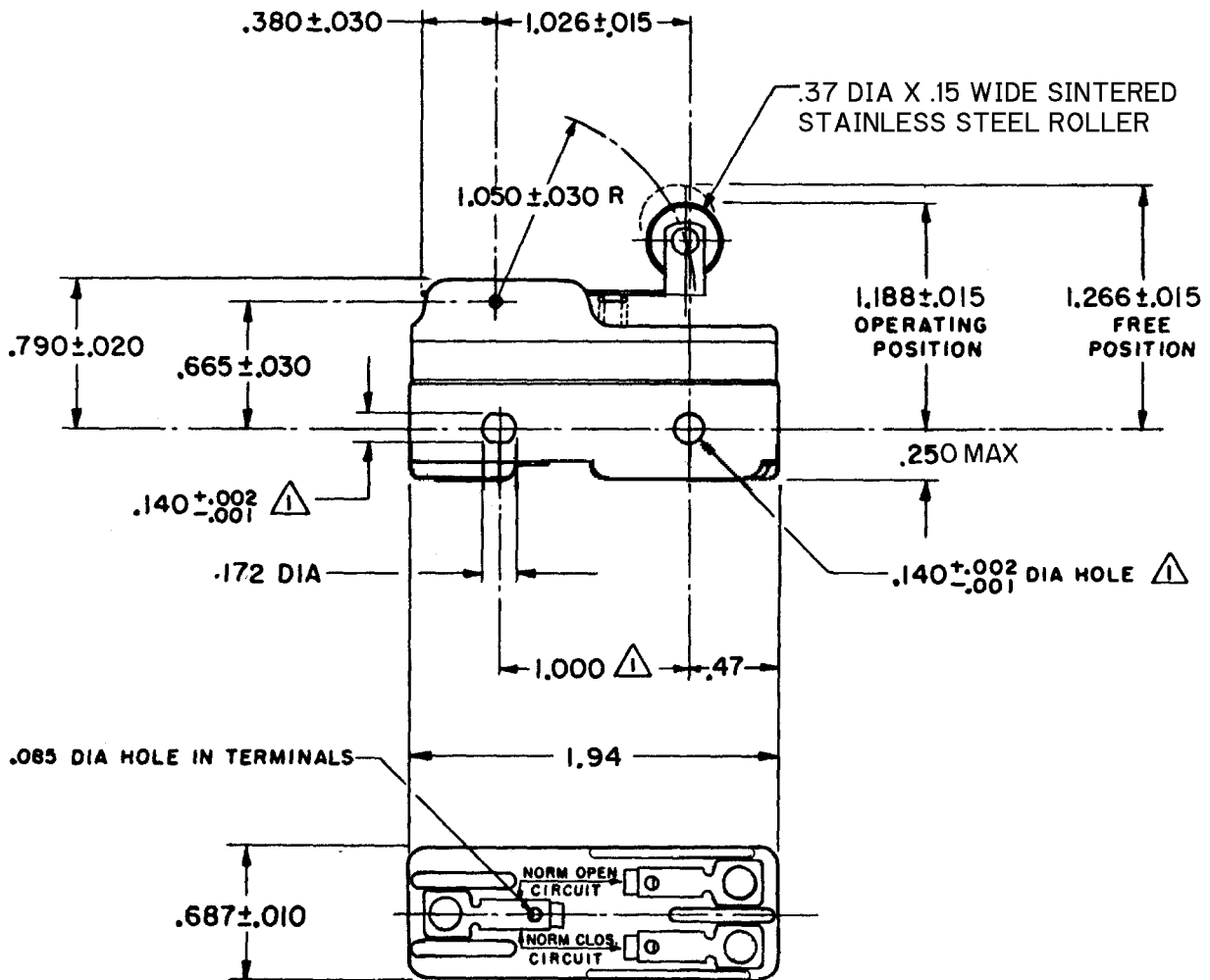
APF1000

DRAWING NUMBER
BZ-2RW822
PAGE 1 OF 1

ISSUE
M
17

REVISIONS

L	0018449	TGP	18 FEB 06
B	CO 34306	GLH	8 JUL 75
C	CO46304	H J H	21 NOV 79
D	CO 52446	WJM	31 JAN 83
E	CO 58037	SMA	1 OCT 85
F	CO 70184-H	GRT	2 JUN 92
G	CO- 75204B	DAW	1 FEB 94
H	CO- 78874	DLT	18 NOV 94
J	CO93346	DLT	2 SEP 98
K	CO- 94212-J	J J A	5 OCT 99



NOTE
MOUNTING HOLES WILL ACCEPT PINS OR SCREWS OF .139 MAX DIA ON 1.000 ± .002 CENTERS.

THIS DRAWING COVERS A PROPRIETARY ITEM AND IS THE PROPERTY OF MICRO SWITCH, A DIVISION OF MINNEAPOLIS-HONEYWELL REGULATOR CO. THIS DRAWING IS NOT TO BE COPIED OR USED WITHOUT THE APPROVAL OF MICRO SWITCH.

CHARACTERISTICS	ELECTRICAL DATA	SCALE FULL
OPERATING FORCE ----- 6 OZ MAX	CONTACT ARRANGEMENT S P D T	DO NOT SCALE PRINT
RELEASE FORCE ----- 1 1/2 OZ MIN	-L74- 15A-125, 250, OR 480 VAC, 2A-600 VAC 1/2 A-125 VDC; 1/4 A-250 VDC 1/8 HP-125 VAC; 1/4 HP-250 VAC	UNLESS OTHERWISE SPECIFIED DIMENSIONS ARE IN INCHES TOLERANCES ARE: ONE PLACE (.0) ±.030 TWO PLACE (.00) ±.015 THREE PLACE (.000) ±.005 ANGLES ±
DIFFERENTIAL TRAVEL ----- .003-.020	-L288-	WEIGHT .063 LB
OVERTRAVEL ----- .094 MIN	-L306- 16A 250V ~ T85 5E4 -L315-	

FORMTEK
FO-50378
DRAWN
GCH
30 MAR 62

REPLACES
RELEASE NO.
CHECK
18 FEB 06
RJ
CHECK
11 APR 62
CHECK
5 OCT 99